

# Magnescale

SPEED X PRECISION

## Next generation high speed data acquisition system

> **LT80** | Intelligent multi measurement station

> **MG80**

> **LZ80** series



### Clear and easy to use HMI functions

- 7-inch touch screen LCD display (1024x600)
- Displays I/O status, add/sub results and measurement modes (Current value, Min, Max, P-P)
- Multilingual support (Japanese, English, German)  
\*Additional languages coming soon

### Expandable multi-axis measurement module system

- Connect up to 32 Magnescale DK- or DT-series gauges (via MT adaptor)
- Wide variety of measurement applications with multiple I/O functions
- Allows for defective part identification, trend management, part sorting and tolerance judgement by 2 or 4 stage comparator function

### 3 different interfaces allow for data transfer and parameter setting

- Data is transferred to PC via Ethernet
- Data storing and Parameter writing in SD card/USB memory

### Flexible installation

- LT80 available with panel mount or VESA-compatible display stand
- DIN rail mount for easy installation (MG80 and LZ80)
- 20m maximum between MG80 modules and LT80 display via Ethernet cable

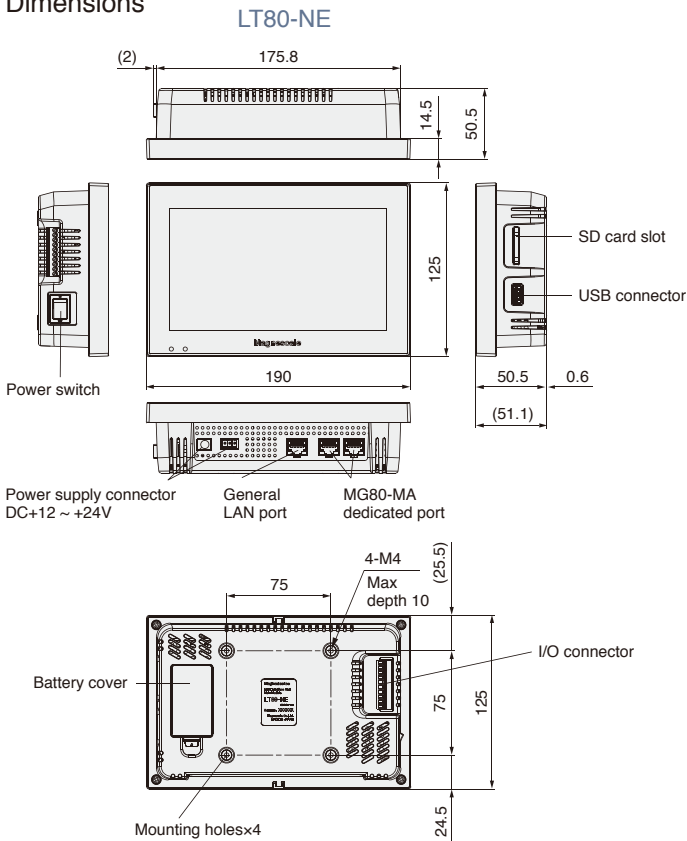
Magnescale Co., Ltd.

## Main specifications

Display unit	LT80-NE	
Power consumption	14W or less	
Maximum connectable units	4 units of LT80-MA*1	
Measurement screen	Measurement display	Display measurement values of 2, 4, 6, 8 or 16 channels, Alarm display, Comparator group, Measurement mode, Measurement bar graph, Reset, Preset
	I/O information	I/O condition monitoring (All I/O of device and module)
Setting menu	Measuring unit setting	Resolution, direction, with or without reference point connected to MG80-CM
	Display setting	Measurement display Set number of display: 2, 4, 8, or 16ch
	Measurement mode	Measurement mode setting of each channel (current, MAX, MIN, P-P)
	Comparator value setting	8 groups with 2 stages, or 8 groups with 4 stages per channel Default setting of each CH
	I/O setting	I/O function assignments of LT80-NE, I/O function assignments of connected LZ80-K, Reference point detection, Reset, Preset, Comparator output, Alarm, Reference point passed, Each channel address, Change measurement mode
	Calculation	Maximum of 16 combinations of add/subtract calculations per MG80-MA module
Maintenance display	Main body information, Service usage (Software update for LT80 and MG80)	

\*1 When using LINK function of MG80-MA dedicated port and MG80-MA

## Dimensions



Main module	MG80-MA1/MG80-MA2
Power consumption	2.4W or less
Maximum connectable units	(16) MG80-CM, (2) LZ80-K*1
I/O	7-pole connector Photo coupler insulated 4 input, 1 output MG80-MA1: Current sinking type MG80-MA2: Current source type
Interface connector	For data: RJ45 x 2 (shielding compatible)
Communication protocol	100BASE-TX
Transmission speed	100 Mbit/s
Maximum cable length	20m (CAT5e shielding type recommended*2)
Setting menu	Rotary switch for setting unit number

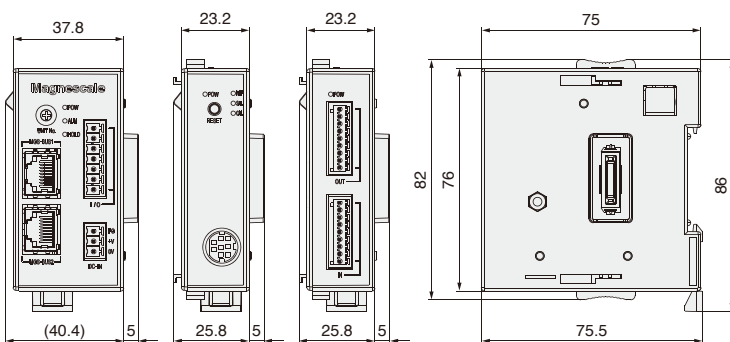
\*1 Per each MG80-MA1/MA2. Total system maximum: (4) MG80-MA1/MA2, (32) MG80-CM, (8) LZ80-K  
\*2 Communication cables not included

Counter module	MG80-CM
Power consumption	2.0W or less (Measuring unit excluded)
Compatible measuring units	DK series, DT series (via MT)
Alarm	Frequency response exceeded, Measuring unit not connected, Broken connection

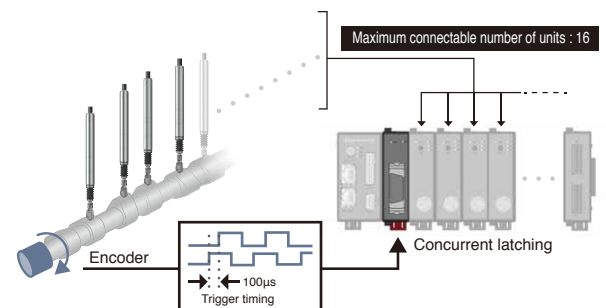
I/O module	LZ80-K1/LZ80-K2
Power consumption	2.0W or less
I/O	9-pole connector x 2 Photo coupler insulated 8 input, 8 output LZ80-K1: Current Sink LZ80-K2: Current Source

LT80/MG80/LZ80	
Supply voltage	DC10.8 ~ 26.4V
Operating temperature/humidity range	0 ~ +50°C (No condensation)
Storage temperature/humidity range	-20 ~ +60°C (20 ~ 90%RH)

## MG80-MA MG80-CM LZ80-K



Up to 16 channels can be measured at once in high-speed, dynamic applications, such as the run-out of a camshaft (High-speed latch module sold separately, coming soon)



△ To use this product safely, please read the instruction manual carefully and thoroughly prior to usage. •Magnescale reserves the right to change product specifications without prior notice.

## Magnescale Co., Ltd.

International Sales Department : 3-1-4 Edagawa, Koto-ku, Tokyo 135-0051, Japan TEL. +81 (0)3-6632-7924 FAX. +81 (0)3-6632-7928  
Magnescale Americas Inc. : 1 Technology Drive, Suite F217, Irvine, CA 92618, USA TEL. +1 (949) 727-4017 FAX. +1 (949) 727-4047  
Magnescale Europe GmbH : Antoniusstrasse 14, 73249 Wernau, Germany TEL. +49 (0) 7153-934-291 FAX. +49 (0) 7153-934-299  
Service & Parts : 45 Suzukawa, Isehara-shi, Kanagawa 259-1146, Japan TEL. +81 (0)463-92-2132 FAX. +81 (0)463-92-3090

<http://www.magnescale.com>

MAGNESCALE is a trademark or registered trademark of Magnescale Co., Ltd., Japan The contents of this literature are as of June, 2019  
LT80-EA01C  
C.1906.CB.500